

# ARM-Based Panel PC

## 8" RISC-Based Power-over-Ethernet Panel Computer



### ■ Highlight

- High-Performance ARM-Based processor
- 8" SVGA TFT LCD with resistive touch screen
- User-defined status LED light bar
- Supports USB OTG (USB On-The-Go)
- Compact fanless design with plastic housing
- Supports Android 4.0X(MRS-801-RE only)

### ■ Features



Android supported



12VDC or PoE power input



Programmable LED light bar



SD card slot with Safety cover

### ■ I/O View



MRS-800 I/O



MRS-801-RE I/O

# ARM-Based Panel PC

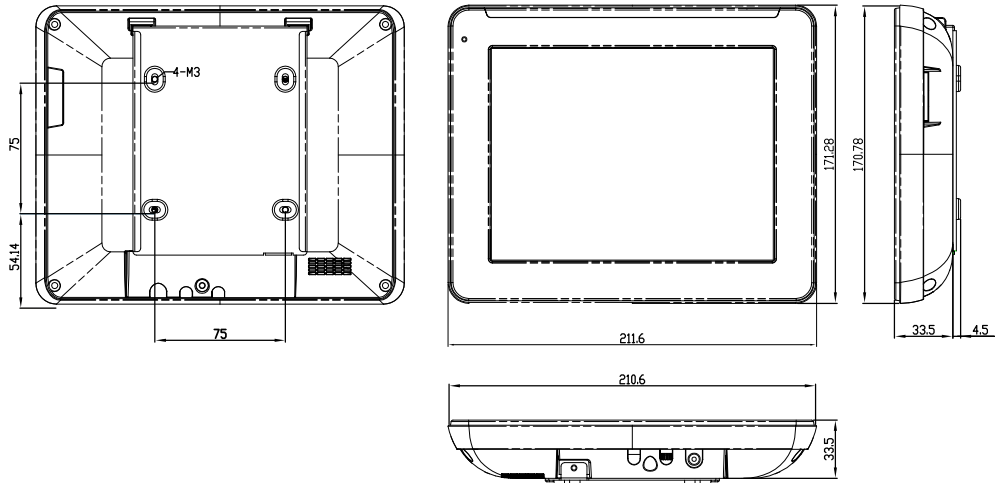
## Specification

Model No.	MRS-800	MRS-801-RE
<b>System</b>		
Processor	TI AM3517 600 MHz	Freescale I.MX6 Cortex A9 Solo (1 Cores @ 1GHz)
System Memory	DDR2 256MB	1GB DDR3 memory
<b>External I/O</b>		
USB	1x USB (USB Host, A-Type) 1x USB OTG (mini USB B Type)	
Serial/Parallel	1x COM1 RS-232 via RJ45 connector	1x RS-232/485 via RJ45 connector
Audio	None	
Graphics	None	
LAN	1x 10/100 LAN with PoE	1x GbE LAN POE 802.3at
Digital I/O	None	
Keyboard/Mouse	None	
Membrane Control	None	
Power	1x 12V DC-IN jack with lock	1x Power reset button Switch 1x 12V DC-in power jack
<b>Storage Space</b>		
HDD	NAND 512MB	1x 4GB eMMC onboard
Removable Slot	1x SD card slot	
<b>Expansion</b>		
Onboard Expansion Bus	1x miniPCIe slot (Full/half size)	
Expansion Slot	None	
<b>Display</b>		
Display Type	8" TFT LCD	
Max. Resolution	800 x 600	
Max. Color	262K	
Luminance (cd/m <sup>2</sup> )	250	
View Angle (H°/V°)	140/120	
Contrast	500:1	
Backlight Lifetime(hrs)	20000	30000
<b>Touch Screen</b>		
Type	Resistive touch	
Interface	USB	
Light Transmission (%)	80	
<b>Power</b>		
Power Input	12V DC input/POE	
<b>Mechanical</b>		
Construction	Plastic	
IP Rating	IP65 front bezel	
Mounting	VESA 75x75mm	
Dimensions (mm)	211.6 x 171.2 x 33.5	
Net Weight (kgs)	1.8kgs	1.8kgs
<b>Environment</b>		
Operating Temperature(°C)	0°C~ 45°C	0°C~ 50°C
Storage Temperature(°C)	-20°C~80°C	-20°C~60°C
Storage Humidity	5~90% @ 45°C, (non-condensing)	10%~90% (non-condensing)
Certification	CE/FCC Class A	
Operating System Support	WinCE6.0, Linux2.6X,Android2.2X	Linux3.X,Android4.X

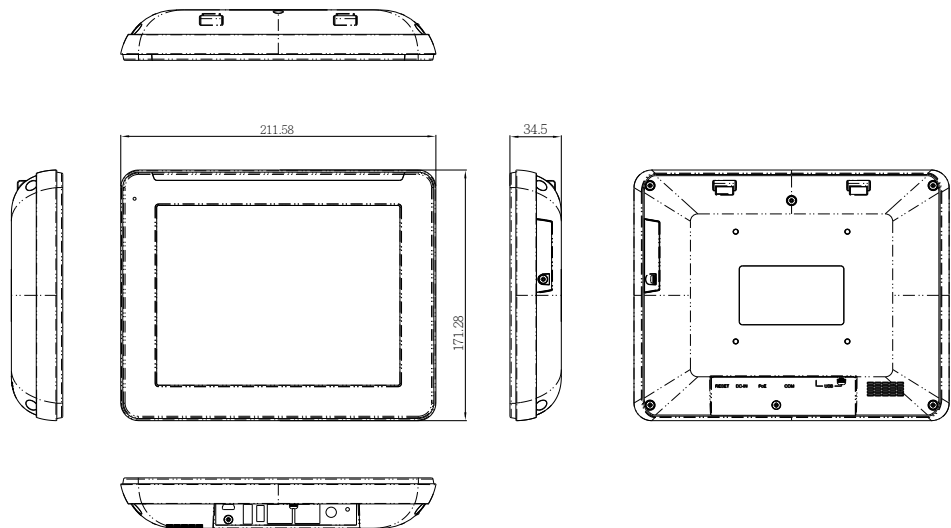
# ARM-Based Panel PC

## Dimensions

MRS-800



MRS-801-RE



## Ordering Information

MRS-800	RISC 8" Panel PC with resistive touch TI AM3517 600MHz CPU, 256MB DDR2 onboard, 512MB NAND flash, w/ 60W power adaptor
MRS-801-RE	RISC 8" Panel PC with resistive touch, I.MX6 Cortex A9 CPU, 1GB DDR3 onboard, supports Android, w/ 60W power adaptor